

Butterfly Valves

sizes – 50, 80, 100 & 150 mm

Fast acting actuated -air assisted -various voltages

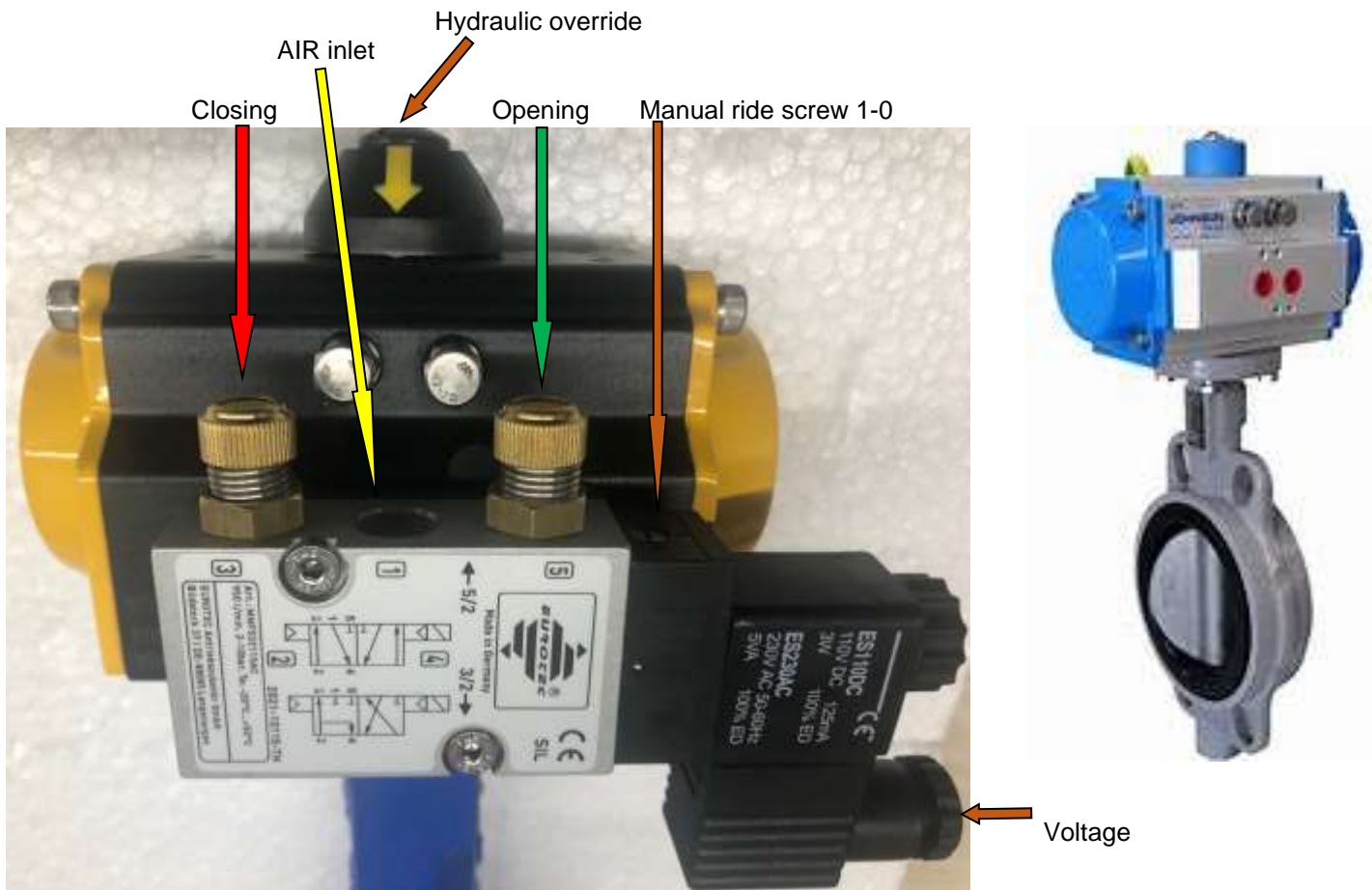
Butterfly Valve, cast metal, SS316 disc with Rubber seal, pilot solenoid valve air assisted Double acting. With opening and closing adjustable exhaust ports. Normally closed. The standard coil control voltage is 240vac (6.8W).

When voltage is applied to the valve it will open the disc. When the batch controller/PLC receives its targeted amount of fluid the voltage dis-engages

For quick opening action of disc tighten the screw opening port. To avoid water/pipe hammer then open/loosen the adjustable closing screw exhaust ports.

Note; A slower closing time will result in inflight additional water passed prior to full close of valve. The over-run of fluid is compensated by selecting the PRACT function on the ME995/ME3000 batch controllers.

Part No:	Size		Part No:	Coil Voltage	Spares
B50	50mm		-12D	12VDC	COIL-XXX
B80	80mm		-24D	24VDC	<i>Coil for solenoid (XXX being the nominated voltage).</i>
B100	100mm		-24A	24vac	
B150	150mm		-110A	110vac	
			-240A	240vac	
			-MOR	Manual override button	



ManuFlo®™

Flow Measurement Products

Email: sales@manuelectronics.com.au

Web: www.manuelectronics.com.au

Rev: ATM-7-21

41 Carter Road, Brookvale
Sydney NSW 2100 Australia

Ph: + 61 2 9938-1425, 9905-4324

Fax: + 61 2 9938-5852