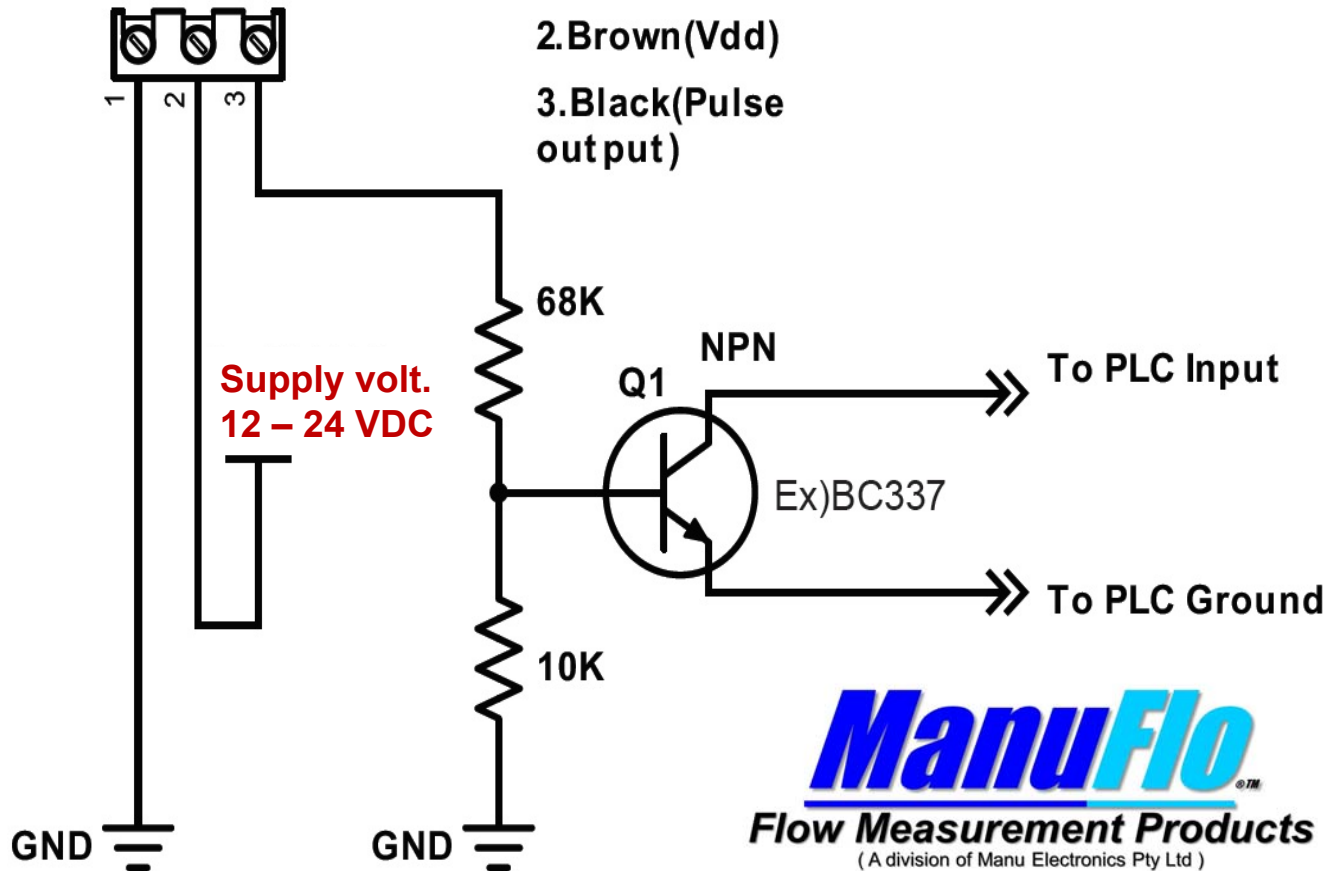


RPFS-P Switching Pulses Converter Circuit

Rota Pulse Flow
Sensor

1. Blue (GND)
2. Brown (Vdd)
3. Black (Pulse output)



ManuFlo
Flow Measurement Products
(A division of Manu Electronics Pty Ltd)

RPFS-P Flowmeters generates a squared wave (5 – 30Vdc) output on pin 3 proportional to flowrate.

Due to different tolerable voltage ranges, the pulse output from RPFS-P may not be recognisable by PLC in direct connections.

In such cases an NPN transistor can be used as an conversion circuit to provide, voltage-free switching (sinking) output to PLC.