

FZM20 - 20mm flowmeter for FERILIZER concentrates with contact closure output

The FZM is a inferential impeller jet meter, which is resistant to fertilizer and similar water diluted chemicals and which transmits a contact closure pulse output of approx. 10 pulses per litre. The flowmeter is made of synthetic polymers and metals capable of withstanding all fertilizer materials currently in common use.

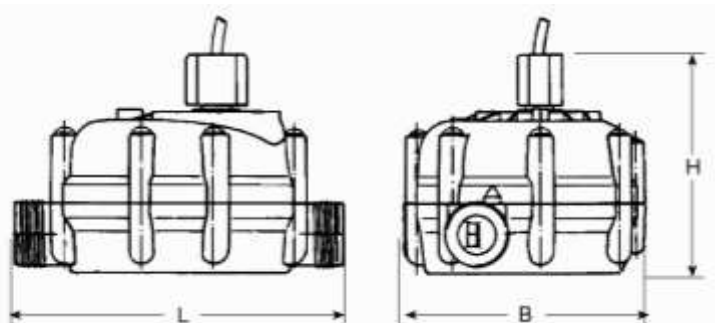
Technical Specifications		Electrical Output	
Maximum Pressure	16 bar	V max	28 VDC
Maximum Temperature	50 °C	I max	50 mA
Body	Corrosion resistant plastic	Pulse Output Cable	1 metre
Connection	3/4" BSP (male)		Contact closure
Contact Output	10 pulses/Litre		2-wire
Flow Range	0.4 - 22 Litres/minute	Weight	0.5 kg
Accuracy	±2%		
(OPTIONAL: 6 PPL-approx. unit with 2 – 40 LPM flow range) # FMZ20-S			

- Specific Gravity of the liquid being measured should not exceed 1.02
- Meters should be installed in a horizontal upright position and in a full pipe when measuring.
- **IDEAL as a resettable flowmeter when fitted to a ME5-T-B resettable LCD display counter.**
- **Connect to batch controllers / PLC / other devices.**

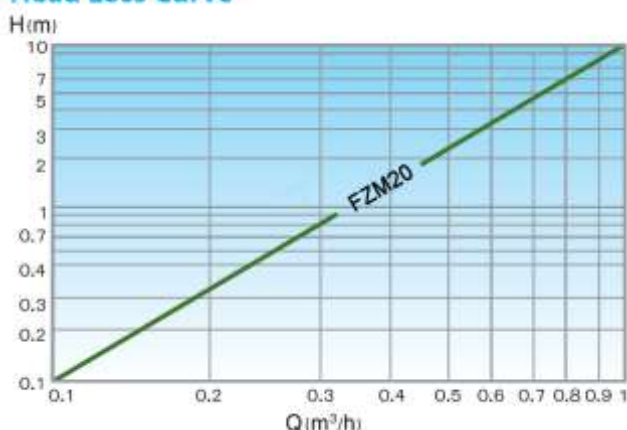


Dimensions

L - Length (mm)	136
H - Height (mm)	86
B - Width (mm)	100
Weight (kg)	0.3



Head Loss Curve



ManuFlo [®]™
Flow Measurement Products

a division of

MANU ELECTRONICS PTY LTD
41 Carter Rd Brookvale
Sydney NSW 2100 Australia
Ph: + 61 2 9938-1425, 9905-4324
www.manuelectronics.com.au