

NEW FEATURES:

- **LCD Display with larger Digits** –Resettable COUNTER.
- **4 digits resetable COUNTER** in Litres (L) with optional 1 **decimal place**.
- **External re-calibrate via Smart Phone** with NFC
- **Wake-Reset function** –turns on the display before resetting the total - (OPTIONAL)
- **New industrial grade gun-metal housing**
- **Ideal where no external power is available**
- **Superior accuracy**

STANDARD FEATURES:

- Nutating wobble disc measurement chamber.
- Small impurities can pass chamber without jamming.
- Low hydraulic thrust minimises wear.
- Sealed IP65 digital display capsule.
- Wide impact resistant glass lens for easy cleaning and quick reading.
- Internal 10+ year long-life Lithium battery.
- $\pm 1.5\%$ accuracy curve, with 0.2% repeatability.
- Conforms to AS3565-1988, designed to meet AS3901.
- Calibration certificate supplied (NMI-1672).
- Simple upgrade to high resolution pulse counter for future automatic batching applications.



MES20LCD4DP 20mm pictured with industrial grade brass housing and toughened scratch proof glass

The MESLCD4 series magnetically-coupled positive-displacement flowmeters incorporates a larger LCD resettable display counter flowmeter, powered by an internal long life (10+ year) Lithium battery. With low to high flowrange performance, the meters are suitable for a wide range of batching and measurement applications for water and water-based chemicals. They are ideal in situations where there is no external power supply available, making them totally portable flowmeters.

The nutating disc measurement chamber used provides high reliability and accuracy for measurement of liquids with varying specific gravities (without need for recalibration), and can pass small impurities without blockage to the measuring chamber.

The digital LCD display head is fully self contained, with a wide impact-resistant flat glass lens for easy cleaning and quick reading. The display head couples to the main meter body by a bayonet turn-and-lock fitting action. The display can be refitted to four 90degree viewing positions.

To operate, lift the hinged lid twice. The LCD display digits turn on and are automatically zeroed and ready for measurement. The display counts in single Litres up to 9999. The decimal point version counts to 999.9 Litres. Closing the lid resets total digits to (0000 or 000.0 litres).

If there is no flow for 5 minutes, then the display will enter sleep mode (goes blank) to conserve battery power. From sleep mode, the display is reawakened by either:

- The occurrence of flow (the count before going to sleep wakens and is continued); or
- By closing and re-opening the lid (the count is reset).

FLOWRANGE DATA

MESLCD4

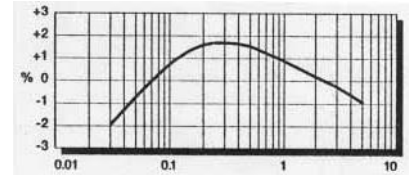
Size (mm)		20	25	32	40
Start flow @ $\pm 5\%$	Litres per minute	0.6	1.1	1.5	3.0
Minimum flow $\pm 1.5\%$ (full range flow curve)	Litres per minute	1.5	2.7	3.8	7.5
Nominal flow $\pm 1.5\%$ " " " "	Litres per minute	45	65	125	200
Maximum flow $\pm 1.5\%$ " " " "	Litres per minute				
• Admixture (Specific Gravity 1.4)		54	80	132	268
• Admixture (Specific Gravity 1.1)		68	102	168	340
• Water (Specific Gravity 1.0)		75	112	185	375

SPECIFICATIONS

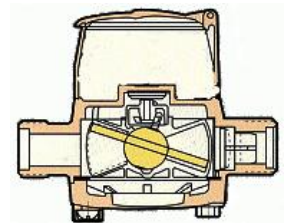
MESLCD4

Size mm	20	25	32	40
Number of digits in LCD display	Counter: 4 digits			
Digit height	Counter: 20 mm			
Min. to Max LCD reading	0001 to 9999 L (Litres) or 000.1 to 999.9 L (dec.pt.Litres)			
Weight (# including connectors)	1.4 kg	2.3 kg	6 kg	17 kg #
Connection type	$\frac{3}{4}$ " BSP(m)	1" BSP(m)	$1\frac{1}{4}$ " BSP(m)	$1\frac{1}{2}$ " Oval flanged kit BSP(f)

Accuracy range (min-max)	± 1.5%	
Repeatability	± 0.2%	
Headloss at nominal flow	25 kPa (3 m)	
Max. cont. working pressure	<= 32mm: 1160 kPa; 40mm: 1034 kPa	
Max. operating temperature	50 °C	
Power source	3.6v Lithium cell (10+ year life)	
Readout	Counter	L (Litres)
		L (Dec.pt.Litres)
Display head rating	Waterproof to IP65	



20mm Accuracy Flow Curve (KL/hr)



Measurement Chamber internal view

MATERIAL SPECIFICATIONS

1.	Digital display head	Gun-metal c/w copper capsule & toughened glass
2A.	Meter body	Cast gun-metal
3.	Strainer	Polyacetal
5.	Measuring chamber	Synthetic Polymer (Nepton)
6.	Chamber O ring	NBR rubber
7.	Base sealer ring	NBR rubber
8.	Base plate	20 mm: ABS Plastic.
8M.	Base plate	25-32mm: Cast Iron, powder coated.
9.	Base body screws	Stainless Steel
14.	Upper case	40mm: Gunmetal

INSTALLATION

MESLCD4

- LCD display head is rated IP65. Avoid prolonged direct sunlight on the LCD display. Display can be positioned in 90° increments.
- Flowmeters may generally be installed in any plane without affecting accuracy (but not upside down if particles are present, as mag-drive assembly may be obstructed). **Ensure arrow on meter body coincides with forward direction of flow.**
- Flush out pipelines thoroughly before connecting flowmeter.
- Although the flowmeter can pass small impurities, a filter box or strainer (800 micron filter recommended) should be fitted prior to the meter if the fluid to be measured contains excessive impurities and particles.
- Any flow restriction or regulation valve should be fitted preferably before the flowmeter. Quick-closing valves should be fitted before the meter if used for higher-end flowrates (thus avoiding sudden pressures on the flowmeter chamber) provided that the plumbing configuration allows the pipe to remain full where the flowmeter is located.
- Once installed, the flowmeter must measure liquid with **full pipe at all times**.
- To avoid damage to measuring chamber, never exceed the rated maximum flowrate.
- To change viewing display angle, push in the display head locking pin and turn display head anti-clockwise. Lift off capsule and re-position to desired viewing position. Re-insert locking pin.
CAUTION: Do not press on, or impact, the copper base of the display head.
- IMPORTANT: AS LAST STEP OF INSTALLATION, A CALIBRATION CHECK OF FLOWMETER MUST BE PERFORMED.**

MAINTENANCE

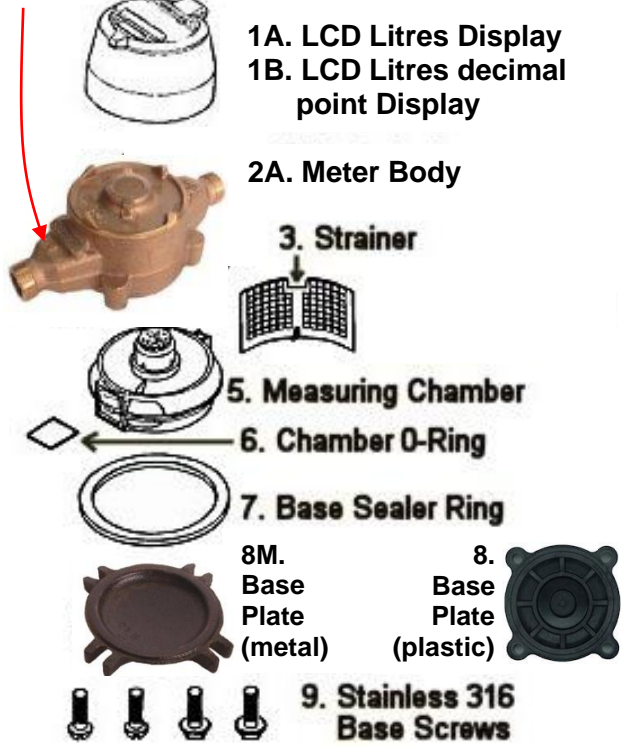
MESLCD4

If flow becomes excessively restricted, digits fail to count, or meter is out of calibration, then:

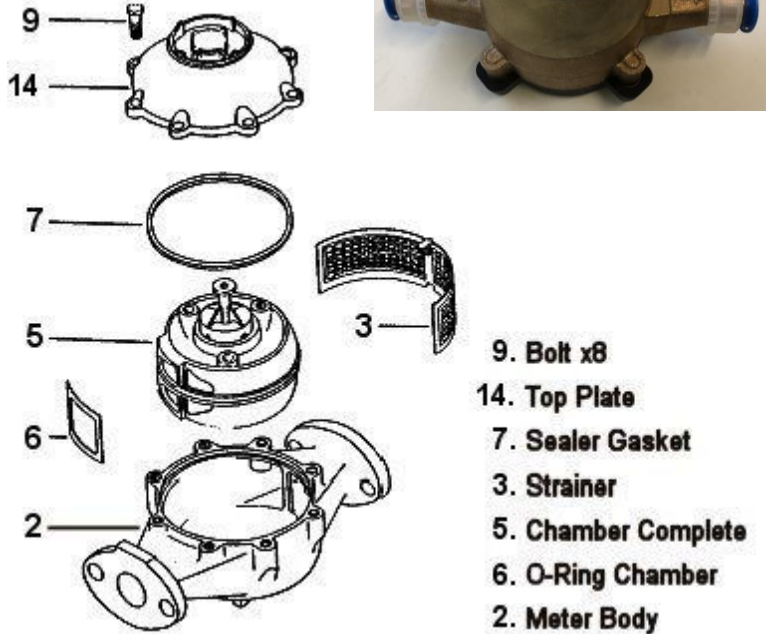
- Close service gate valve. Push in the locking pin on the digital display head. Turn the display head anticlockwise, pull up display head and remove. **CAUTION: Do not press on, or impact, the copper base of the display head.**
- To access measuring chamber: undo flanges if applicable, rotate meter body (40mm flowmeter has access from top). Unscrew the 4x base screws, remove base plate and base seal ring. Using long nose pliers, pry and pull out the white strainer screen which then unlocks the measuring chamber assembly. Remove chamber and inspect.
- If required, clean chamber parts in warm water or dilute acid (5:1 Water:Acid). Make sure internal chamber wobble disc roller pin is in place and shutter plate is refitted. Then, reassemble meter by repositioning the measuring chamber and lock in position with strainer plate. Refit other components and seal the flowmeter.
- IMPORTANT: AFTER ANY SERVICE, A CALIBRATION CHECK OF THE FLOWMETER MUST BE PERFORMED.**

NOTE: If the flowmeter is used with sticky admixtures and runs dry, then flush with water, otherwise admixture may crystallise and seize chamber parts, necessitating service and cleaning.

Arrow on meter body indicates direction of flow.



20, 25 & 32mm meter components



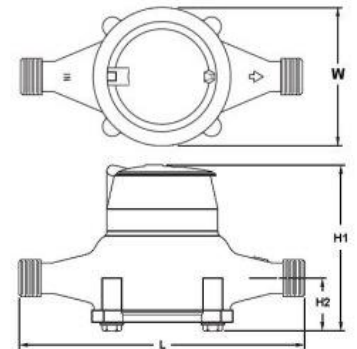
40mm & 50mm meter components



DIMENSIONS

Meter Size	mm	20	25	32	40
Length body end to end	L	191	229	273	330
Overall Height	H1	158	158	200	252
Overall Width	W	92	92	165	205
Height undefaced to centre	H2	41	41	54	65

DIMENSIONS 20, 25 & 32mm



ORDER CODE	Size	Display
MES20LCD4	20mm	Standard settings: - Counter in Litres (L) - No decimal place
MES25LCD4	25mm	
MES32LCD4	32mm	
MES40LCD4	40mm	

OPTIONALS

-DP	1 decimal place		
-DP2	2 decimal places (20mm only)		

OPTIONS for 20mm flowmeter only (add suffix to Order Code)

-E	EDPM seal (in lieu of rubber) for greater resistance to chemicals
-T	Teflon-coated body only.

Due to continuous product improvement, specifications are subject to change without notice.

